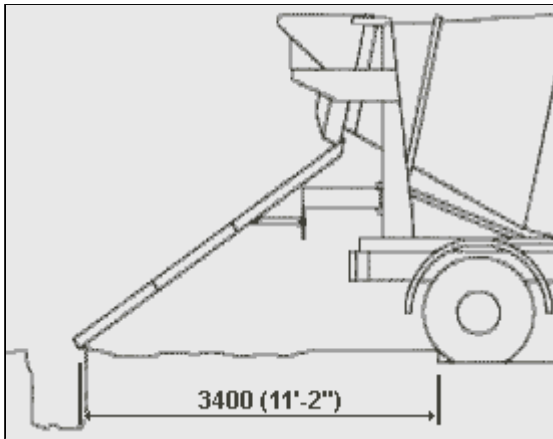
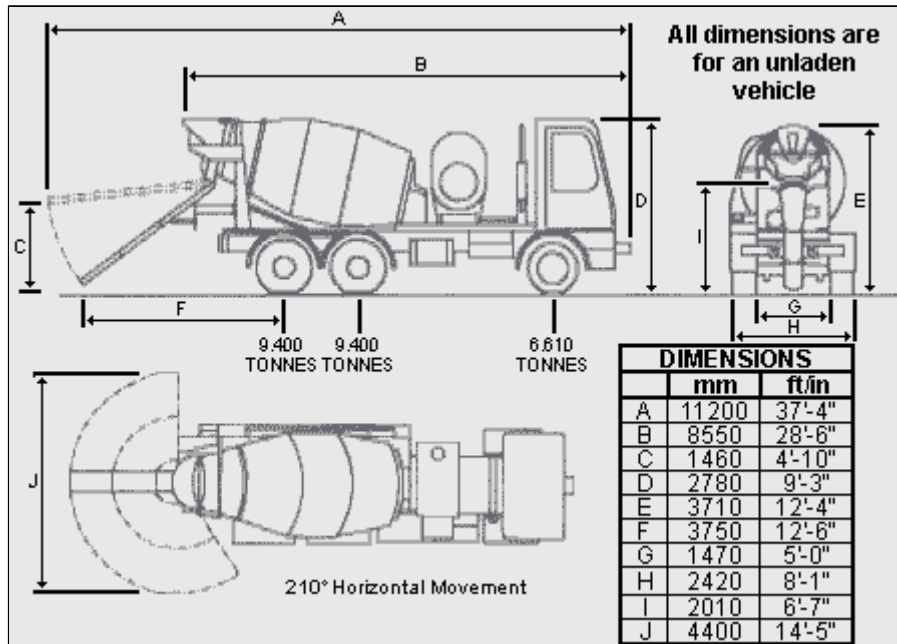
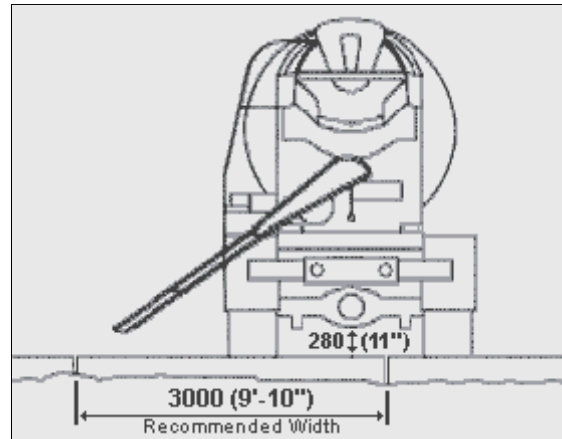


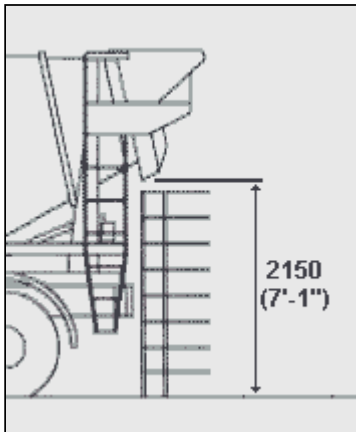
## TRUCK DIMENSIONS



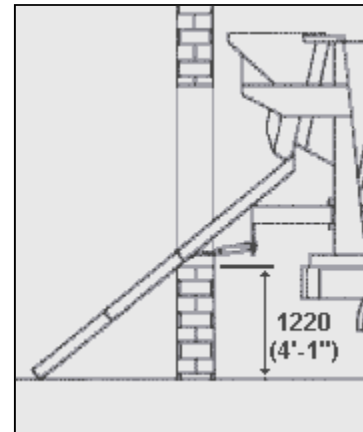
Footings



Concrete Slabs



Hollow Block Wall Fill



Through Windows

**C&G READYMIXED CONCRETE**

Tel: 01780 482000  
Fax: 01780 480066

**C&G MORTARS SCREEDS**

Tel: 01652 680000  
Fax: 01636 893214

**C&G QUARRIED PRODUCTS**

Tel: 01472 859000  
Fax: 01472 851117

Email: [sales@candgconcrete.co.uk](mailto:sales@candgconcrete.co.uk)